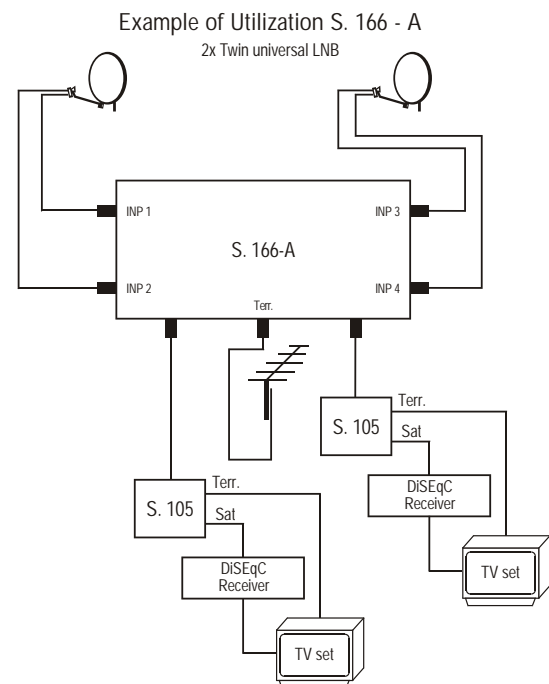


## DiSEqC Accessories

### S. 166-A

● The unit is for distribution of satellite and terrestrial signals from 2 Twin Universal LNBS to 2 outputs i.e. to 2 subscribers. In fact, it consists of 2 separate switches S.162-C in one housing. The unit is additionally equipped with a terrestrial input for connection of terrestrial antennas. The inputs are controlled from the satellite receiver by DiSEqC "Position" command or by Tone Burst. Satellite inputs of the unit are through for 22 kHz and DiSEqC signals.

Specifications of S. 166-A		
Frequency Range	LNB-Inputs	950-2300 MHz
	Terr. Input	5-862 MHz
	Outputs	5-2300 MHz
Control	DiSEqC command "Position" or Tone Burst	
Insertion Loss	950-2300 MHz	5 dB avg.
	5-862 MHz	8 dB avg.
SAT Inputs Isolation		30 dB avg.
Current Drawn		30 mA
Dimensions (w,d,h [cm])		10.7 x 6.5 x 3.2
Temperature range		-25 °C - +60 °C



### S. 168

● 8in/1out switch designed for direct connection of up to 8 SAT IF inputs to one receiver. Inputs are selected by DiSEqC 1.2 command "Goto nn" (6B). Inputs 1 to 4 are selectable also by command "Write N0" (38), which makes the unit compatible with standard DiSEqC 4-input switching. Short-circuit protected.

The unit is to be used with a satellite receiver enabling to set-up motor position number.

Specifications of S. 168	
Frequency Range	950-2300 MHz
Control	DiSEqC command "Goto nn" & "Write N0" (inputs 1-4)
Insertion Loss	5 dB avg.
Isolation	30 dB avg.
LNB current	max. 400 mA
Current consumption	max. 50 mA
Dimensions (w,d,h [cm])	13.6 x 10.4 x 3.3
Temperature range	-25 °C - +60 °C